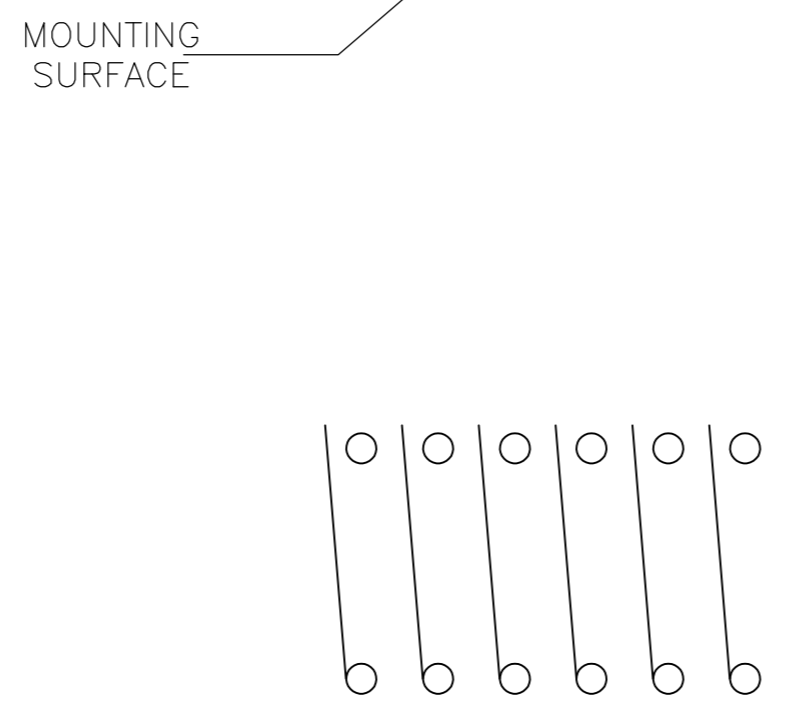
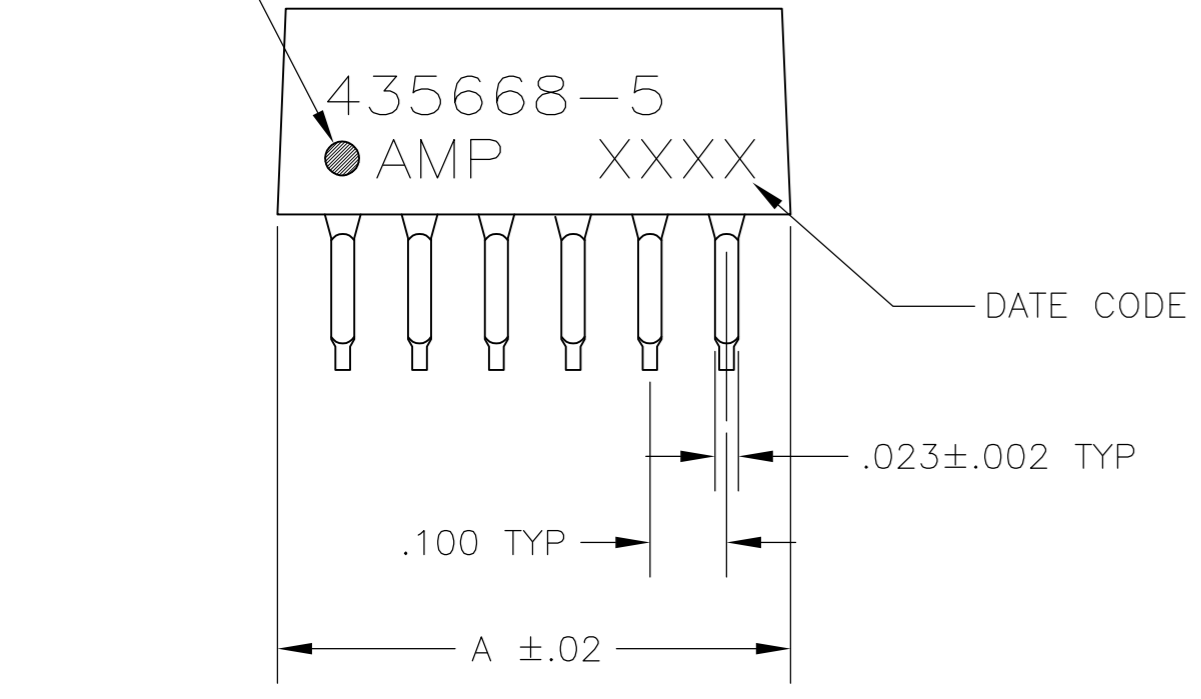
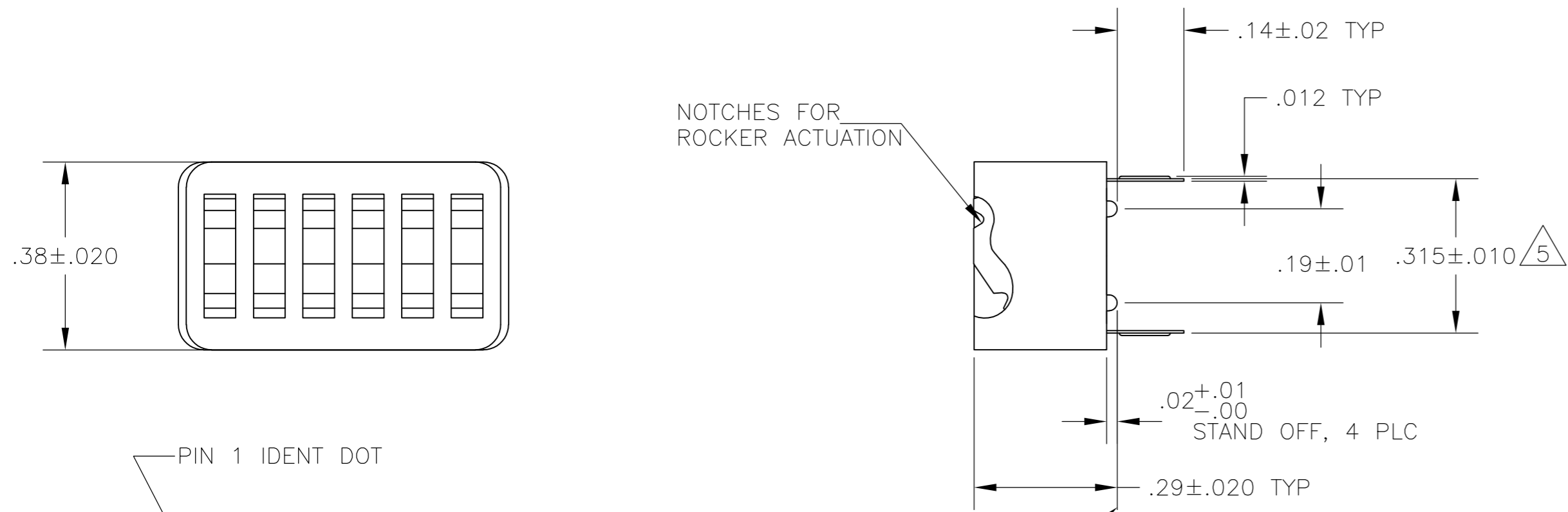


THIS DRAWING IS UNPUBLISHED. RELEASED FOR PUBLICATION  
 © COPYRIGHT - By - ALL RIGHTS RESERVED.

LOC		DIST		REVISIONS			
P	LTR	DESCRIPTION	DATE	DWN	APVD		
AD	00	AM2	REVISD PER ECO-11-004587	11MAR11	RK	HMR	



CONTACT ARRANGEMENT

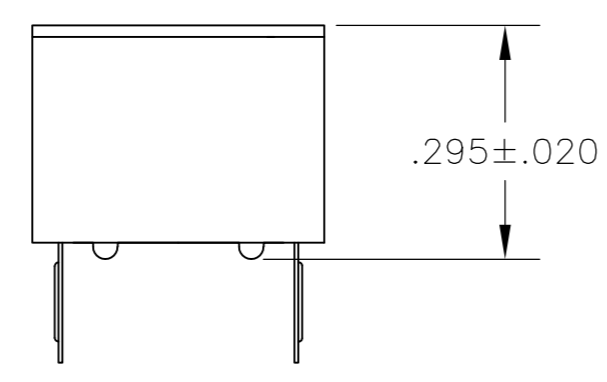
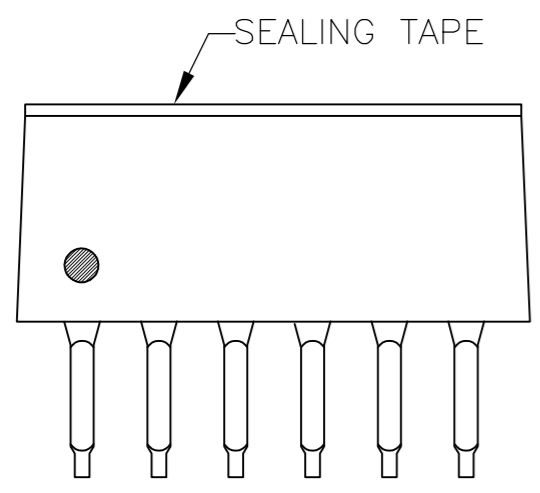


FIG1

435668-5 SHOWN

- FOR ADDITIONAL SPECIFICATIONS SEE AMP PRODUCT SPEC 108-7532.
  - SWITCH SHOWN IN OPEN POSITION.
  - ALL CHARACTERS AND ROCKERS ARE WHITE, HOUSING IS BLUE.
  - STAMPING WILL VARY ON 2 AND 3 POSITION SIDES DUE TO SPACE RESTRICTIONS.
- △5 .315 DIMENSION APPLIES AT TERMINAL TIPS. TERMINALS ARE .300<sup>+.010</sup>/<sub>-.000</sub> AT MOUNTING SURFACE.
- △6 OBSOLETE PARTS: OBSOLETE CIS STREAMLINING PER D.RENAUD/D.SINISI

FIG	DESCRIPTION	DATE	DWN	APVD	PART NO
△6	OBSOLETE	FIG 7			8-435668-7
	OBSOLETE	FIG 6			8-435668-6
	OBSOLETE	FIG 5			8-435668-5
SUPERSEDED BY 2-435668-5 FIG 3 & 4					
	OBSOLETE				8-435668-3
					8-435668-0
					3-435668-5
					3-435668-4
					3-435668-3
					3-435668-2
△6	OBSOLETE				3-435668-1
					3-435668-0
					2-435668-9
					2-435668-8
					2-435668-7
					2-435668-6
					2-435668-5
SUPERSEDED BY 3-435668-2					
					1-435668-1
					435668-9
					435668-8
SUPERSEDED BY 2-435668-7					
					435668-7
					435668-6
					435668-5
					435668-4
					435668-3
					435668-2
					435668-1
SUPERSEDED BY 3-435668-3					
△6	OBSOLETE				435668-1

THIS DRAWING IS A CONTROLLED DOCUMENT.		DWN	R.TALLEY	02JAN90		TE Connectivity		
DIMENSIONS: INCHES		CHK	R.MILLER	03JAN90		NAME		
TOLERANCES UNLESS OTHERWISE SPECIFIED:		APVD	H.LEITER	03JAN90		SWITCH ASSY, DIP, TYPE C, 7100 SERIES, SPST, LOW PROFILE		
0 PLC ± - 1 PLC ± - 2 PLC ± - 3 PLC ± .005 4 PLC ± - ANGLES ± -		PRODUCT SPEC	-			SIZE	A2	
MATERIAL		FINISH	CONTACTS: PLATED .000030 MIN GOLD IN CONTACT AREA OVER .000050 MIN NICKEL		WEIGHT	-	CAGE CODE	00779
HOUSING & ROCKERS: POLYESTER		CONTACTS: COPPER ALLOY		SCALE		4:1	SHEET	1 OF 2
CUSTOMER DRAWING		REV		AM2				

THIS DRAWING IS UNPUBLISHED. RELEASED FOR PUBLICATION  
 © COPYRIGHT - By - ALL RIGHTS RESERVED.

LOC	DIST	REVISIONS					
AD	00	P	LTR	DESCRIPTION	DATE	DWN	APVD
		-	-	SEE SHEET 1	-	-	-

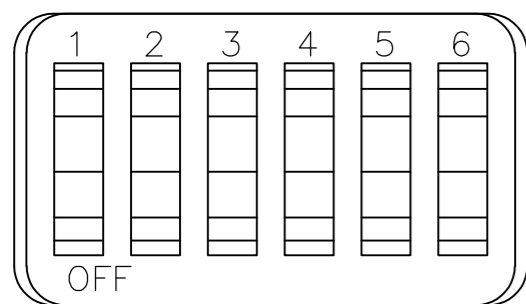


FIG 2

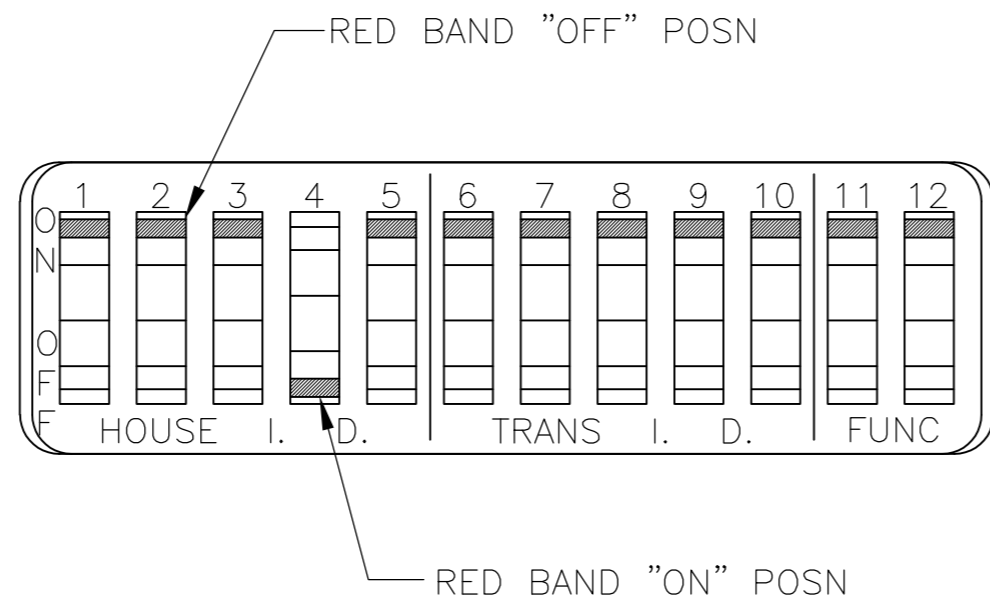


FIG 5

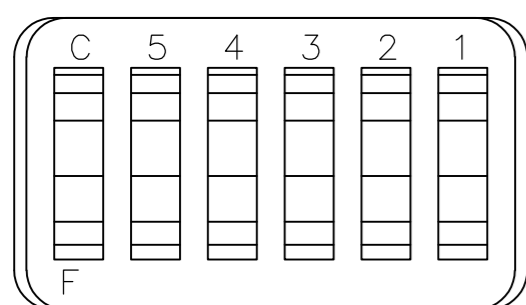


FIG 3

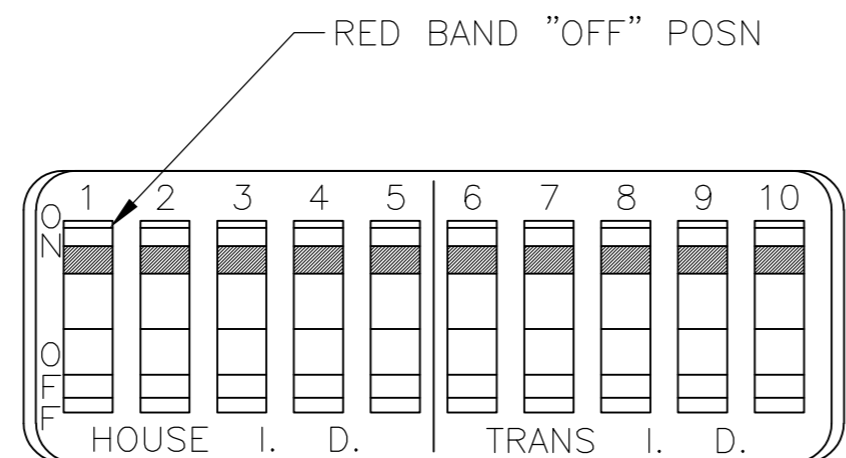


FIG 6

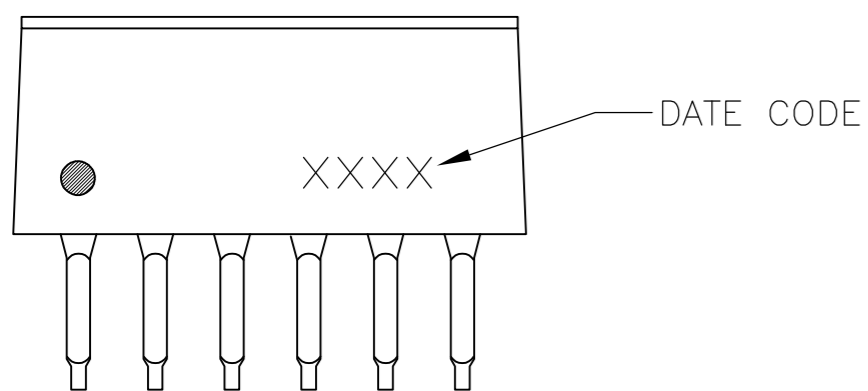


FIG 4

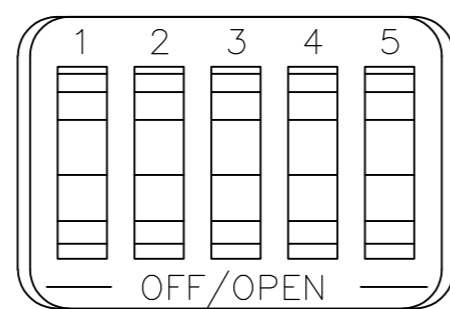


FIG 7

THIS DRAWING IS A CONTROLLED DOCUMENT.		DWN R.TALLEY 02JAN90		
DIMENSIONS: INCHES		CHK R.MILLER 03JAN90		
TOLERANCES UNLESS OTHERWISE SPECIFIED:		APVD H.LEITER 03JAN90	NAME SWITCH ASSY, DIP, TYPE C, 7100 SERIES, SPST, LOW PROFILE	
		PRODUCT SPEC -	SIZE A2	
MATERIAL		APPLICATION SPEC -	CAGE CODE 00779	DRAWING NO C=435668
FINISH		WEIGHT -	RESTRICTED TO -	SCALE 4:1
CUSTOMER DRAWING			SHEET 2 of 2	REV AM2